

Lanka Education and Research Network

Linux Architecture, Linux File System, Linux Basic Commands

28th November 2016

Dilum Samarasinhe
(LEARN)

Overview

- History of Linux
- Linux Architecture
- Linux File System
- Linux Access
- Linux Commands
- File Permission
- Editors
- Conclusion and Questions

History

- 1969
 - Dennis Ritchie and Ken Thompson developed the C language and the Unix operating system at AT&T Bell Labs
- Unix Features
 - Multiuser & Multitasking System
 - Hierarchical directory structure
 - Programing Facility
 - Documentation

History

- 1980s
 - There were many Companies develop their own unix
 - Richard Stallman started GNU project
 - Many Commands we use today in Linux are GNU tools
- 1990s
 - In 1991 Linus Torvalds writes a kernel and Share the code
 - Combination of this kernel and GNU tools becomes Linux

Distributions

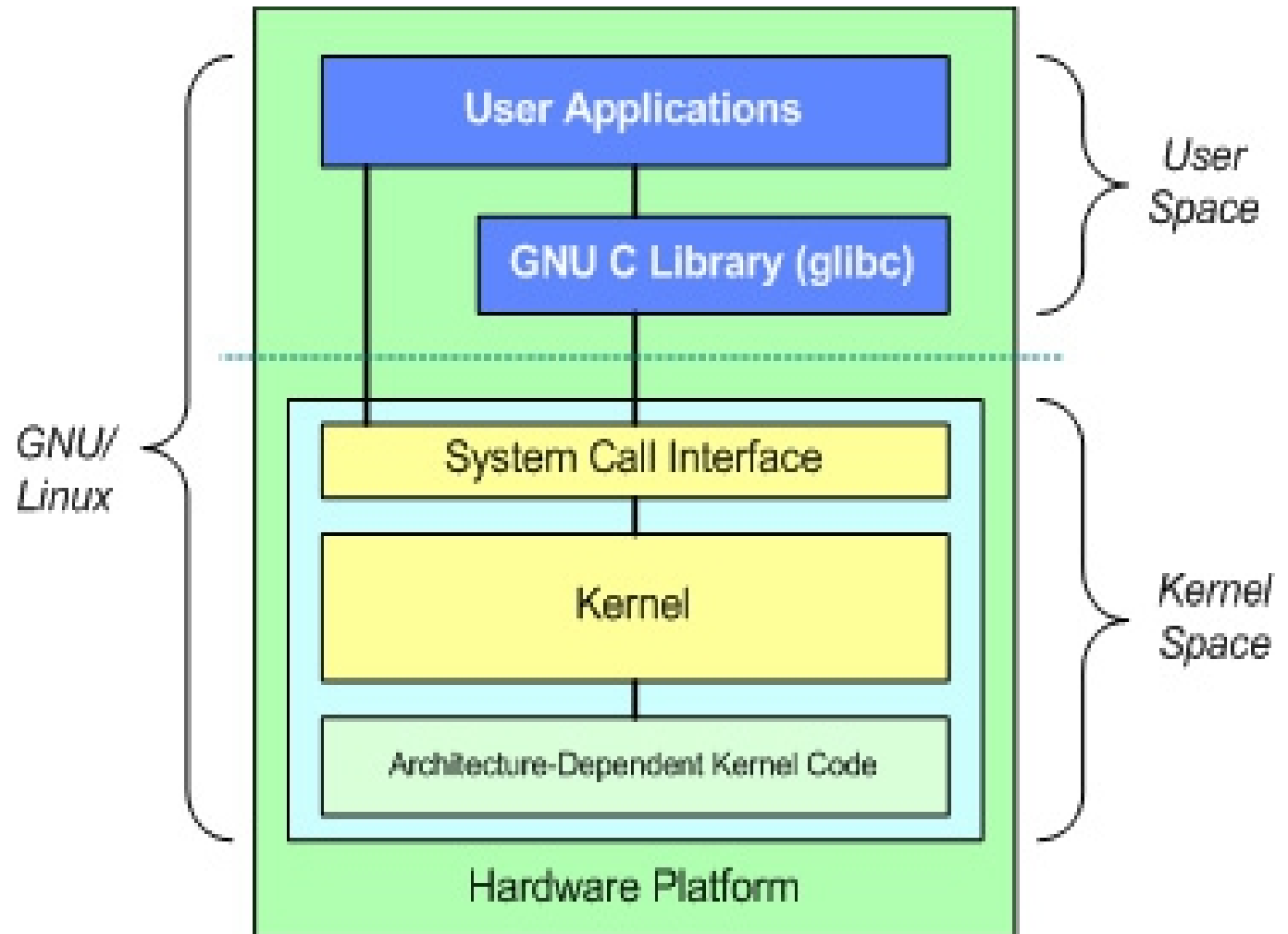
- A Linux distribution is a collection of software on top of a Linux kernel. A distribution can bundle server software, system management documentation and many desktop applications
- A distribution aims to provide a common look and feel, secure and easy software management and often a specific operational purpose

Popular Distributions

- Red Hat
 - RHEL (Commercial product with support)
 - Fedora (Open source product)
- Ubuntu
- Debian
- Other
 - CentOS
 - Linux Mint
 - Open Suse
 - And there are many

Linux System Architecture

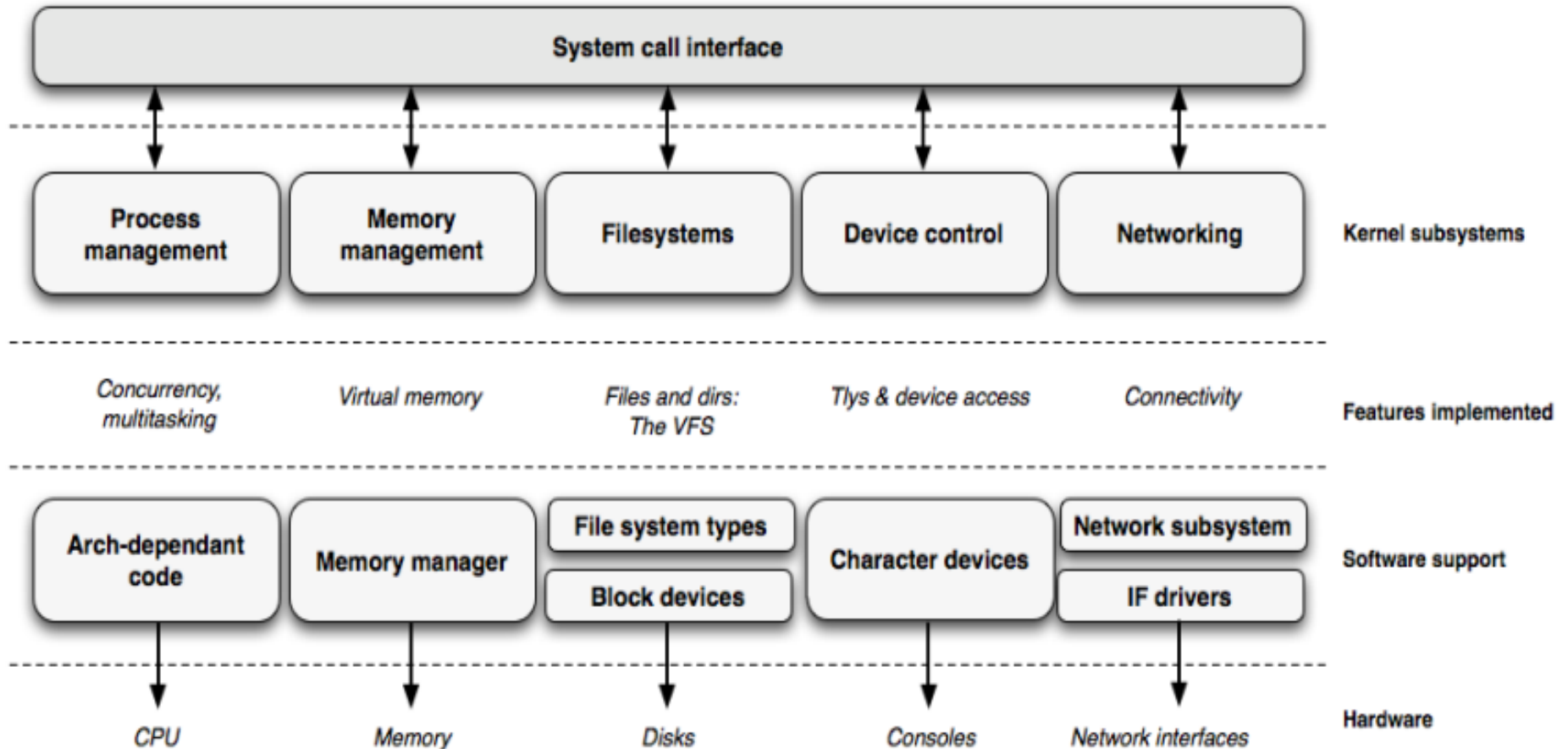
- Divided in to two levels
 - User space
 - Kernel space



User Space

- GNU C Library is Implemented
- User applications are executed
- This included shells
- Features of Shell
 - Interface between user and kernel
 - Can be more than one
 - User can swap between them
 - Command line and GUI

Kernel Space



Kernel Space...

- System Call Interface
 - Provides platform to perform functions from user space to kernel space
 - Architecture dependent
- Kernel Subsystem
 - Process Management
 - Memory Management
 - File System
 - Device Control
 - Networking

Kernel Space...

- Process Management
 - Create and destroy processes
 - Communication among different processes
 - Controls how processes share CPU
- Memory management
 - Managed in 'Pages'
 - Controls available memory
 - Controls physical and Virtual memory mappings

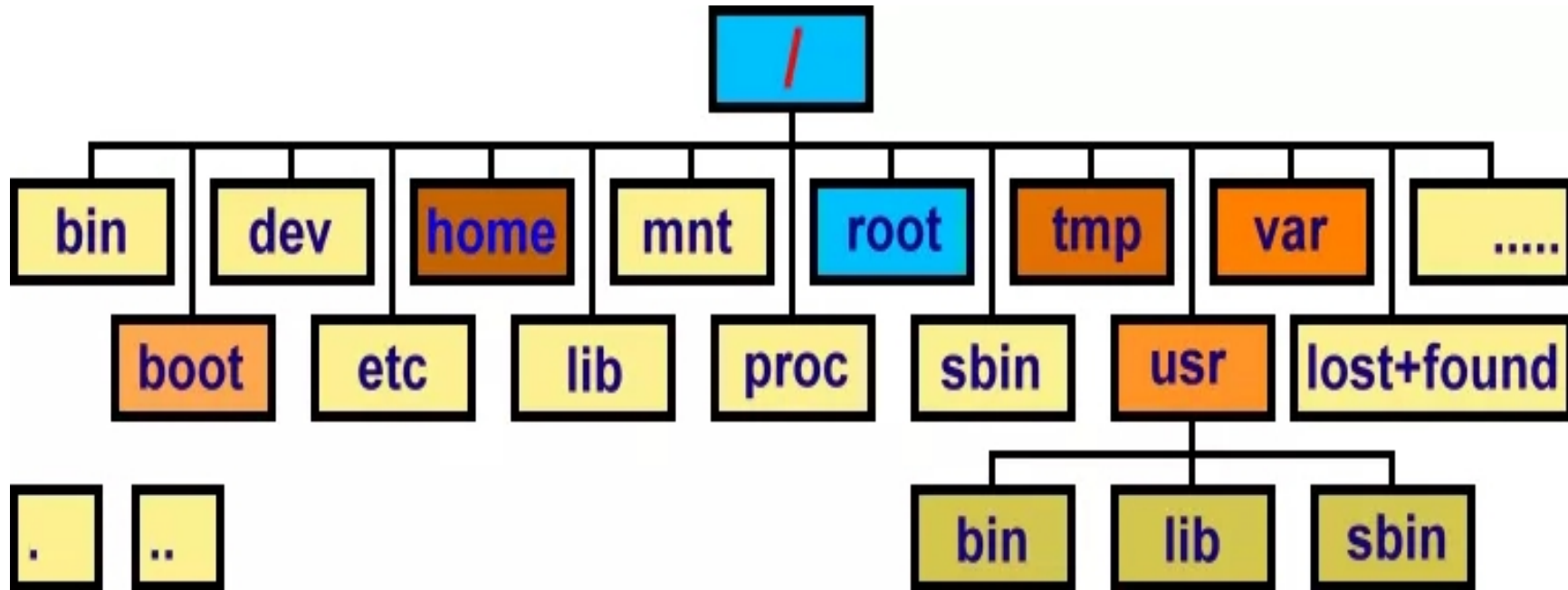
Kernel Space...

- Device Control
 - all device control operations are performed by code called a device driver
 - Device driver registers devices with the kernel and it handles I/O requests of the device
- Networking
 - Network operations are not specific to a process and incoming packets are asynchronous
 - Kernel is in charge of delivering data packets across program and network interfaces

File System

- Linux abstracts file systems operations through the Virtual File System (VFS)
 - Provides an interface for user mode programs to interact with the file system
 - Provides an interface that file systems have to implement
- Handles “mounting”, I/O requests that get implemented (eventually) by a device driver
- Supports more than one file system types
 - Ext2 / Ext3 / Ext4
 - Fat32
 - NTFS

Directory Structure



Directory Structure

- `/bin` : Common programs, shared by the system, the system administrator and the users
- `/boot` : The startup files and the kernel, `vmlinuz`. In some recent distributions also `grub` data. `Grub` is the Grand Unified Boot loader and is an attempt to get rid of the many different boot-loaders we know today
- `/dev` : Contains references to all the CPU peripheral hardware, which are represented as files with special properties
- `/etc` : Most important system configuration files are in `/etc`, this directory contains data similar to those in the Control Panel in Windows
- `/home` : Home directories of the common users

Directory Structure

- /lib: Library files, includes files for all kinds of programs needed by the system and the users
- /root : The administrative user's home directory. Mind the difference between /, the root directory and /root, the home directory of the root user
- /usr : Programs, libraries, documentation etc. for all user-related programs
- /var: Storage for all variable files and temporary files created by users, such as log files, the mail queue, the print spooler area, space for temporary storage of files downloaded from the Internet, or to keep an image of a CD before burning it
- /mnt : Standard mount point for external file systems, e.g. a CD-ROM or a digital camera

System Access

- Logging In Locally
 - With a “GUI” or Graphical User Interface
 - With a “CLI” or Command Line Interface
- Logging in Remotely
 - From Windows, with puTTY
 - From Linux or Mac, with ssh
- Requirements:
 - You need a username and password

Types of Users

- Root User
 - The super user
- Normal User
 - Other users that has access
- System User
 - An account used by an application

The Super User

- By default, one account can do anything: root
- Some Linux distributions disable logging in as this user
- Root is powerful
 - It can change (or delete) any file
 - It can perform any function
- Root is dangerous
 - Inexperienced users can break a system
 - Root can be exploited by attackers
- Limit what Root can do remotely – if you allow at all.

Normal Users

- A standard user account
- Can log in and access a home directory
- Can have group permissions
- Can read/write/execute in its home directory
- Cannot start or stop the system
- Cannot start or stop system services
- Standard user accounts are safer than root

System Users

- A user account used by a program
 - ftp, www-data, postgres, ntp
- Typically cannot log in interactively
- May or may not have shell access
- Can have group permissions
- System Users are safer than other users
 - Don't run applications as root
 - Don't run applications as a normal user

Become Another User

- su: “substitute user identity”
 - Syntax: su [options] [username]
 - Give password
 - Quit the shell by typing “exit”
- Sudo: executes a single command as another user
 - sudo syntax: sudo [options] [-u user] command
 - If no user is specified, root is assumed

User Process

- Programs you run, typically interactively
- Often-used programs have short, cryptic names
 - ls, cp, rm, pwd, cd, cat, less, mkdir, mv, rm, man
- Hundreds of programs included in base systems
- Thousands of programs can be downloaded, free
- Thousands more can be purchased

Common Commands

- **man**: display the manual
- **ls**: list the contents of a directory
- **pwd**: print working directory
- **cd**: change directory
- **mkdir**: make a directory
- **cp**: copy
- **mv**: move
- **rm**: remove

The Format of a Command

- Commands are programs
- Options modify commands
 - Typically a dash followed by a letter (-v)
 - Some utilities also allow dash dash word (--verbose)
- Commands act on Parameters (ls -al /etc)
- Spaces are critical "-- help" != "--help"

Find & Edit Past Commands

- Try your up arrow
- Now type history
- Run a past command by typing !number
- Looking for something in particular?

history | grep command-name

- Don't retype commands
 - It takes longer
 - It can lead to errors

Viewing Configuration Files

- If you want to look, but not touch
 - `cat <filename>` displays a files contents
 - `more <filename>` displays with pagination
 - `less <filename>` paginates with search & more
- Changing files usually requires an editor

Linux Editors

- To edit text files in CLI mode you need editors
- There are lot of editors available
 - emacs
 - nano
 - vi
 - vim
- We will look at vi as it is one of the most powerful editor and once you are used to it, It is very easy

VI Editor

- Starting Vi
 - Opening or creating a file
vi filename
- Vi Modes of Operation
 - Command Mode :
 - Allows the entry of commands to manipulate text
 - Default mode when vi starts
 - Use Escape key to move into command mode
 - Insert Mode :
 - Puts anything you type into the current file
 - To get into insert mode, commands `o` (append) and `i` (insert)

File Permission

- Linux is a Multiuser System
- Different users can access/execute different files
- Checking file permissions

ls -l

Users, Groups & Priviledge Types

- Linux understands Users and Groups
- A user can belong to several groups
- A file can belong to only one user and one group at a time
- Only root can change the ownership of a file

- Privilege Types
 - Read
 - Write
 - Execute

A Program

- A program mostly run by a user, when the system starts or by another process.
- Before the program can execute the kernel inspects several things:
 - Is the file containing the program accessible to the user or group of the process that wants to run it?
 - Does the file containing the program permit execution by that user or group (or anybody)?
 - In most cases, while executing, a program inherits the privileges of the user/process who started it.

File Permission In Detail

- When we type:

```
ls -l /usr/bin/top
```

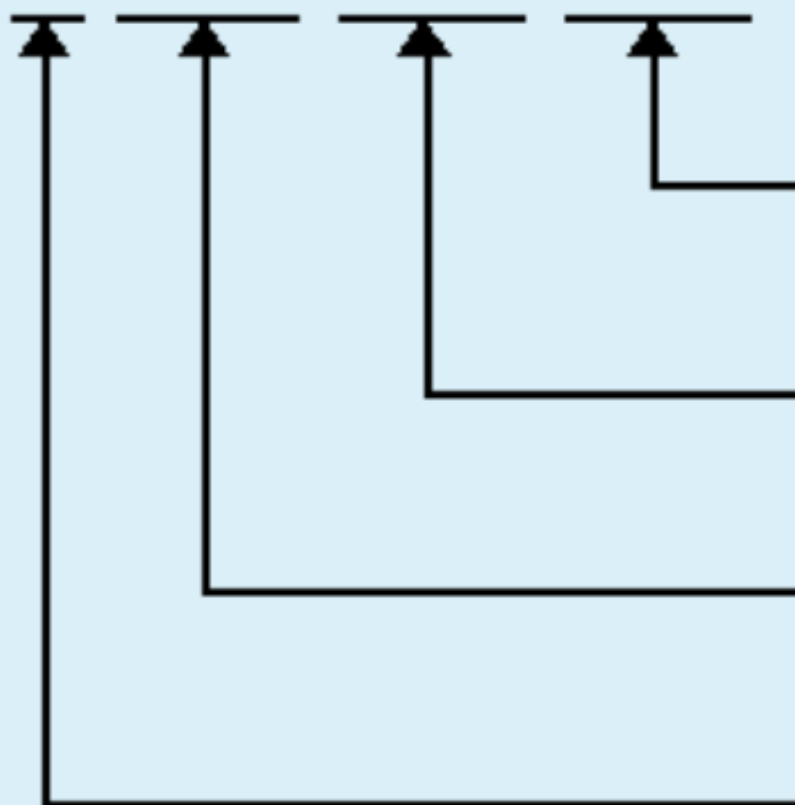
- We'll see:

```
-rwxr-xr-x 1 root root 68524 2011-12-19 07:18 /usr/bin/top
```

- What does all this mean?

File Permission In Detail

`-rwxrw-r--`



Read, write, and execute permissions for all other users

Read, write and execute permissions for members of the group owning the file.

Read, write and execute permissions for the owner of the file.

File type. "-" indicates a regular file. A "d" indicates a directory.

File Permission In Detail

```
-rwxr-xr-x 1 root root 68524 2011-12-19 07:18 /usr/bin/top
```

- 1 : Link count
- First root : owner
- Second root : group
- 68524 : Size (In bytes)
- 2011-12-19 : Modification date
- 07:18 : Modification time
- /usr/bin/top : file name

Access Rights

- Files are owned by a user and a group (ownership)
- Files have permissions for the user, the group, and other
- “other” permission is often referred to as “world”
- The permissions are Read, Write and Execute (r, w, x)
- The user who owns a file is always allowed to change its permissions

Changing File Permissions

- File permissions can be change using “chmod” Command
- There are two ways to use this command
 - Symbolic mode
 - Absolute mode

Symbolic Mode

- Uses letters and “+”,“-” to give permissions
- Letters are used as following
 - u: user
 - g: group
 - o: other
 - r: read
 - w: write
 - e: execute
 - + : to add a permission
 - - : to remove a permission

Symbolic mode (Examples)

testfile has permissions of -r--r--r--

- \$ chmod g+x testfile ==> -r--r-xr--
- \$ chmod u+wx testfile ==> -rwxr-xr--
- \$ chmod ug-x testfile ==> -rw--r--r--

u=user, g=group, o=other (world)

Absolute Mode

- We use octal (base eight) values represented like this

<u>Letter</u>	<u>Permission</u>	<u>Value</u>
r	read	4
w	write	2
x	execute	1
-	none	0

- For each column, User, Group or Other you can set values from 0 to 7

Symbolic mode (Examples)

testfile has permissions of -r--r--r--

- \$ chmod 445 testfile ==> -r--r-xr--
- \$ chmod 754 testfile ==> -rwxr-xr--
- \$ chmod 644 testfile ==> -rw--r--r--

Software Management @ the CLI

- dpkg is the Debian/Ubuntu software manager
 - dpkg --get-selections: see what's installed
 - Dpkg -reconfigure: reconfigure a package
 - dpkg --purge: remove software & its config files
- apt is the best way to use dpkg
 - apt-cache search: see what's available
 - apt-get update: get a new list of what's available
 - apt-get install: install software & its dependencies

Scripting

- Shells like bash and Korn have support for programming constructs that can be saved as scripts
- Many Linux commands are scripts
- To run a script user should have execute privilege
- You can do conditions, loops, Pass variables and many programming concepts in your scripts

Lanka Education and Research Network

Questions ???

Lanka Education and Research Network

Thank You

Dilum Samarasinghe/LEARN

Email: dilum@learn.ac.lk